

# EMB-6

## Explosion-Proof Bell

### Specification :

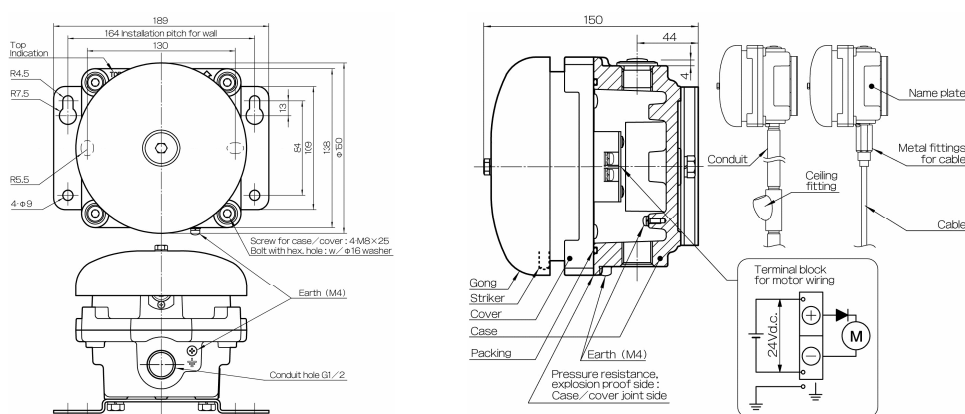
Construction : IP54  
Explosion Proof Class : ExdIIBT4  
Rating : DC24V 15mA  
Sound Output : 92dB/m  
Conduit : G1/2  
Operating Temp. Range : -20 ~ +60°C  
Weight : 3 Kgs.



Inspected by : Technology Institution of Industrial Safety (Approval No. 第 C15174 号)

Japan Fire Equipment Inspection Institute (Approval No. 鑑認音第 13 ~ 4 号)

- \* This bell is pressure resist, explosion proof construction.
- \* Don't use it in the air in which ignition point being under 135°C
- \* Please ask its installation, operation, maintenance and inspection for the person who have appropriate knowledge and ability for handling each Explosion proof construction electric equipment and relative regulations.
- \* Make sure to cut off the power supply during installation.
- \* Don't bend, pull or stick power supply cable and lead wire forcefully.
- \* Don't leave the name plate hidden with its installation.
- \* Don't touch the terminal while the measurement of the insulation resistance is being done.
- \* Make sure to connect an earth wire.



Outline Drawings : **KOBISHI** KOBISHI ELECTRIC CO., LTD.

1805-1, KAMIYA, KOUNOSU-SHI, SAITAMA, JAPAN  
TEL : 81-485-43-4767 FAX : 81-485-43-4776  
e-mail : overseas@kobishi.co.jp web site : www.kobishi.co.jp

Design and Specifications are subject to change without notice